



Strada 6030 60" x 30" x 3"

Strada 6032 60" x 32" x 3"

Strada 6036 60" x 36" x 3"

Acrylic Shower Base

Features

- Low 3" threshold for easy entry and exit
- Multiple flange configurations available

Strada

Acrylic Shower Base with Adjustable Flange

Strada 6030 • 60" x 30" x 3" • 1524 mm x 1067 mm x 76 mm

Strada 6032 • 60" x 32" x 3" • 1524 mm x 813 mm x 76 mm

Strada 6036 • 60" x 36" x 3" • 1524 mm x 914 mm x 76 mm

Shower Base Features

- Vacuum formed acrylic reinforced with fiberglass
- Scratch, stain and fade resistant high gloss finish
- AFD2 chrome drain is included on all models
- These bases have a 1" built in tile flange as illustrated by the bold lines

Optional Accessories

SB6030

- By Pass Shower Door BDS 60PS, Fixed Panel Door FD 59PS, Roll Top Door Front Entry RT 60FPS are designed to fit the Shower Bases SB6030RA and SB6030LA
- Roll Top Door Corner Entry RT 60FPS with Return Panel RT 30SPS are designed to fit the Shower Bases SB 6030LE and SB6030RE

SB6032

- By Pass Shower Door BDS 60PS, Fixed Panel Door FD 59PS, Roll Top Door Front Entry RT 60FPS are designed to fit the Shower Bases SB6032RA and SB6032LA
- Roll Top Door Corner Entry RT 60FPS with Return Panel RT 30SPS are designed to fit the Shower Bases SB 6032LE and SB6032RE

SB6036

- By Pass Shower Door BDS 60PS, Fixed Panel Door FD 59PS, Roll Top Door Front Entry RT 60FPS are designed to fit the Shower Bases SB6036A
- Swing Door SD 34PS is designed to fit the Shower Base SB6036EA
- Roll Top Door Corner Entry RT 60FPS with Return Panel RT 36 SPS are designed to fit the Shower Bases SB 6036LD and SB6036RD

General Specifications

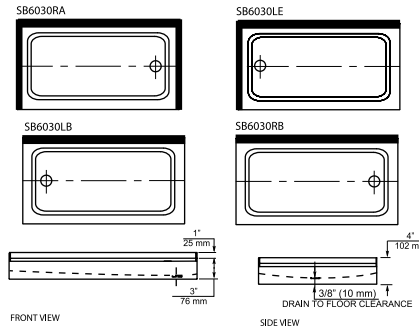
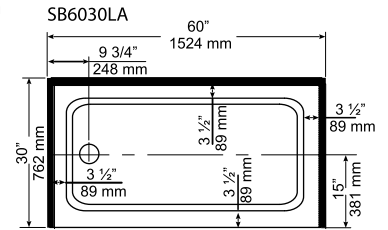
Average weight SB6030	49 lbs	22 kg
Average weight SB6032	51 lbs	23 kg
Average weight SB6036	55 lbs	25 kg
Drain opening diameter	3 1/4"	83 mm
Drain to floor clearance	3/8"	10 mm

Meets or Exceeds the Following Specifications:

- CAN/CSA B45 Series
- CAN/ULC-S102.2-M88 Flame Spread FRP laminate rating

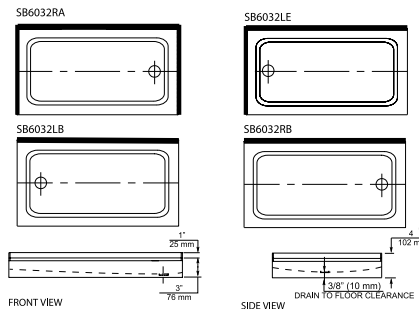
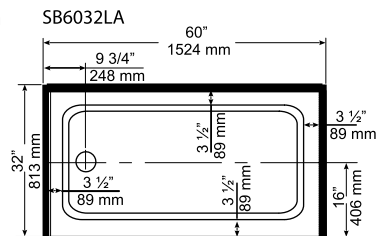
60" x 30" Rectangular Acrylic Shower Base, End Drain

- SB6030LA • Left Drain, 3 Sided Alcove Flange - W Open
- SB6030RA • Right Drain, 3 Sided Alcove Flange - W Open
- SB6030LE • Left Drain, End Drain & Back Wall Flange
- SB6030RE • Right Drain, End Drain & Back Wall Flange
- SB6030LB • Left Drain, Back Wall Flange
- SB6030RB • Right Drain, Back Wall Flange
- SB6030E • End Drain, End Drain Flange
- SB6030 EA • End Drain, 3 Sided Alcove Flange - D Open



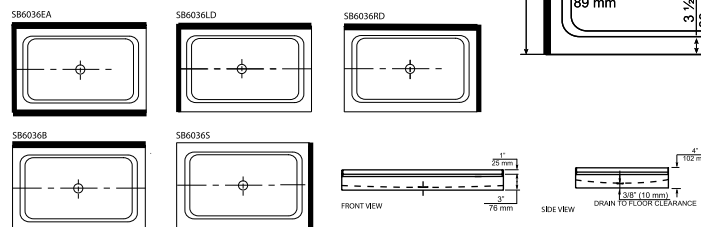
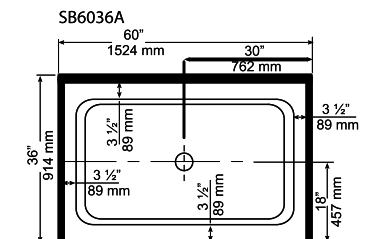
60" x 32" Rectangular Acrylic Shower Base, End Drain

- SB6032LA • Left Drain, 3 Sided Alcove Flange - W Open
- SB6032RA • Right Drain, 3 Sided Alcove Flange - W Open
- SB6032LE • Left Drain, End Drain & Back Wall Flange
- SB6032RE • Right Drain, End Drain & Back Wall Flange
- SB6032LB • Left Drain, Back Wall Flange
- SB6032RB • Right Drain, Back Wall Flange
- SB6032E • End Drain, End Drain Flange
- SB6032 EA • End Drain, 3 Sided Alcove Flange - D Open



60" x 36" Rectangular Acrylic Shower Base, End Drain

- SB6036B • Centre Drain, Back Wall Flange
- SB6036S • Centre Drain, Side Wall Flange
- SB6036RD • Centre Drain, Right & Back Wall Flange
- SB6036LD • Centre Drain, Left & Back Wall Flange
- SB6036A • Centre Drain, 3 Sided Alcove Flange - W open
- SB6036EA • Centre Drain, 3 Sided Alcove Flange - D open



Mirolin Industries Corp

60 Shorncliffe Road, Toronto, ON M8Z 5K1
 mirolin.com support@mirolin.com
 T 416 231 5790 800 MIROLIN (647 6546)
 F 416 231 0929 800 463 2236

Important:

Dimensions of fixtures are nominal and may vary ± 6 mm (1/4"). These measurements are subject to change at Manufacturer's discretion.

