



Strada 48 48" x 36" x 3"

Strada 42 42" x 42" x 3"

Strada 36 36" x 36" x 3"

Acrylic Shower Base

Features

- Low 3" threshold for easy entry and exit
- Multiple flange configurations available

Strada

Acrylic Shower Base with Adjustable Flange

Strada 4836 • 48" x 36" x 3" • 1219 mm x 914 mm x 76 mm

Strada 4242 • 42" x 42" x 3" • 1067 mm x 1067 mm x 76 mm

Strada 3636 • 36" x 36" x 3" • 914 mm x 914 mm x 76 mm

Product Features

- Vacuum formed acrylic reinforced with fiberglass
- Scratch, stain and fade resistant high gloss finish
- AFD2 chrome drain is included on all models
- These bases have a 1" built in tile flange as illustrated by the bold lines

Optional Accessories

SB4836

- By Pass Shower Door BD 48, Fixed Panel Door FD 47 and Roll Top Door Front Entry RT 48FPS are designed to fit the Shower Base SB4836A
- Swing Door SD 34PS is designed to fit the Shower Base SB4836EA
- Roll Top Door Corner Entry RT 48FPS with Return Panel RT 36SPS are designed to fit the Shower Bases SB4836LD and SB4836RD

SB4242

- Tri Panel Door TD 42 and Fixed Panel Door FD 42 are designed to fit the Shower Base SB4242A

SB3636

- Swing Door SD 34PS is designed to fit the Shower Base SB3636A

General Specifications

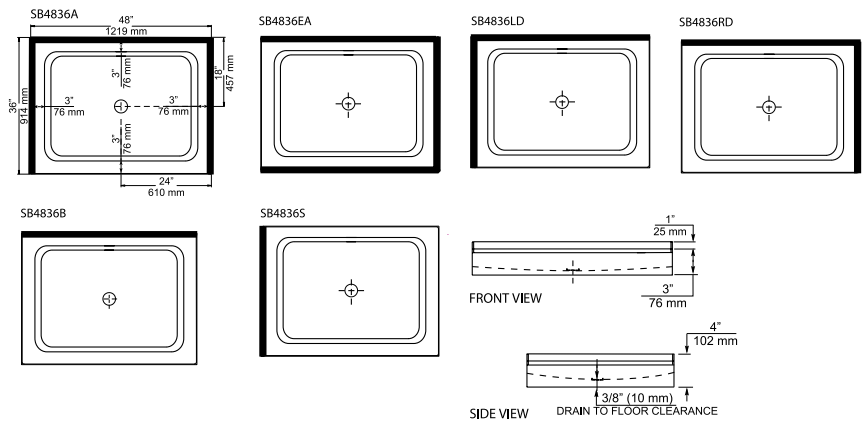
Average weight SB4836	47 lbs	21 kg
Average weight SB4242	45 lbs	20 kg
Average weight SB3636	40 lbs	18 kg
Drain opening diameter	3 1/4"	83 mm
Drain to floor clearance	3/8"	10 mm

Meets or Exceeds the Following Specifications:

- CAN/CSA B45 Series
- CAN/ULC-S102.2-M88 Flame Spread FRP laminate rating

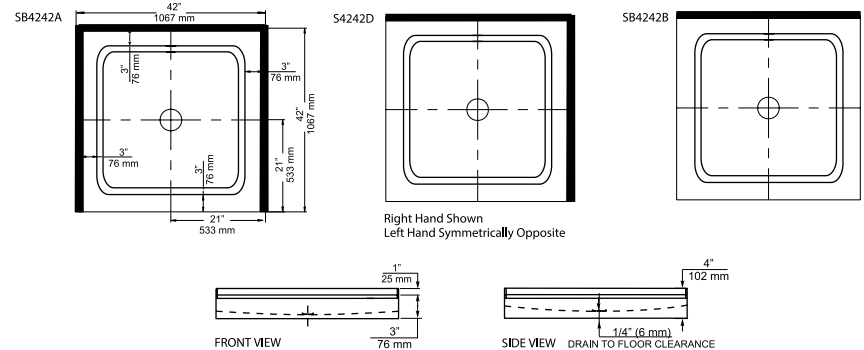
48" x 36" Rectangular Acrylic Shower Base, Centre Drain

- SB4836A • 3 Sided Alcove Flange, • W Open
- SB4836EA • 3 Sided Alcove Flange • D Open
- SB4836LD • Centre Drain, Left & Back Wall Flange
- SB4836RD • Centre Drain, Right & Back Wall Flange
- SB4836B • Centre Drain, Back Wall Flange
- SB4836S • Centre Drain, Side Wall Flange



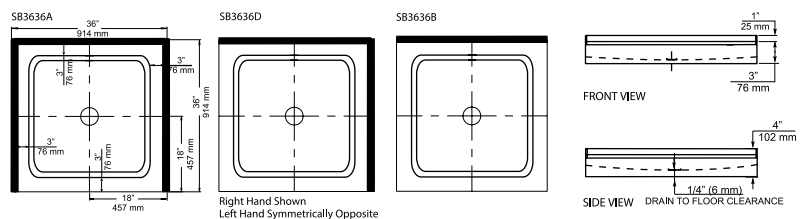
42" x 42" Square Acrylic Shower Base, Centre Drain

- SB4242A - Centre Drain, 3 Sided Alcove Flange
- SB4242D - Centre Drain, Side & Back Wall Flange
- SB4242B - Centre Drain, Back Wall Flange



36" x 36" Square Acrylic Shower Base, Centre Drain

- SB3636A - Centre Drain, 3 Sided Alcove Flange
- SB3636D - Centre Drain, Side & Back Wall Flange
- SB3636B - Centre Drain, Back Wall Flange



NOTES:

Shower Base to be installed on the floor supported by 2 feet and front edge. Shim if required to level the base for adequate drainage.

Mirolin Industries Corp

60 Shorncliffe Road, Toronto, ON M8Z 5K1
mirolin.com support@mirolin.com
T 416 231 5790 800 MIROLIN (647 6546)
F 416 231 0929 800 463 2236

Important:

Dimensions of fixtures are nominal and may vary ± 6 mm (1/4"). These measurements are subject to change at Manufacturer's discretion.



© Copyright 2010 Mirolin Ind. The Copyright includes all content on the document.