



Sorrento One Piece Neo Angle Shower

SC38NA 38 3/4" x 38 3/4" x 76 1/4"

Features

- Low 3" threshold for easy entry and exit
- Includes chrome floor drain

Sorrento One Piece Round Front Shower

SC38RF 38 1/4" x 38 1/4" x 76 1/4"

Sorrento

Acrylic Showerstall

Sorrento One Piece Neo • SC38NA • 38 3/4" x 38 3/4" x 76 1/4" • 984 mm x 984 mm x 1937 mm
 Sorrento One Piece Round • SC38RF • 38 1/4" x 38 1/4" x 76 1/4" • 972 mm x 972 mm x 1937 mm

Features

- Vacuum formed from an acrylic sheet and reinforced with fiberglass
- Scratch, stain and fade resistant high gloss finish
- A FD2 chrome drain is included on all models

Optional Accessories - NA

- Corner Shower Door CD38NA is designed to fit Sorrento One Piece Neo Angle Shower

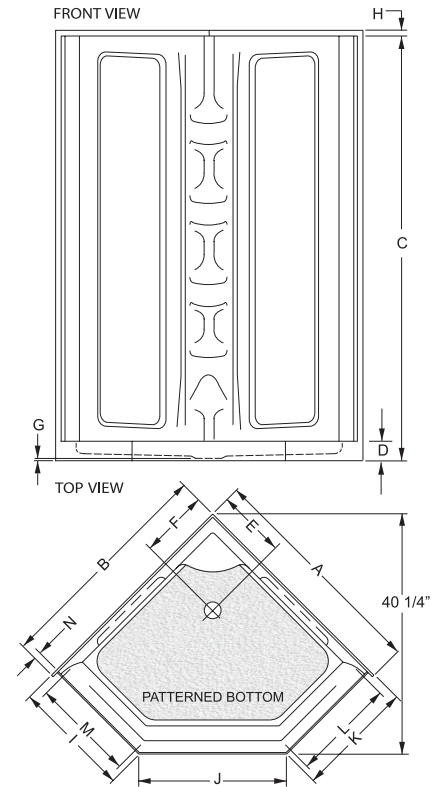
Meets or Exceeds the Following Specifications:

- CAN/CSA B45.0
- CAN/ULC-S102.2-M88 Flame Spread FRP laminate rating

General Specifications

Average weight	120 lbs	54 kg
Drain opening diameter	3 1/4"	83 mm
Drain to floor clearance	3/8"	9 mm

SC38NA		
A	38 3/4"	984 mm
B	38 3/4"	984 mm
C	76 1/4"	1937 mm
D	3 1/4"	82 mm
E	11 3/4"	298 mm
F	11 3/4"	298 mm
G	3/8"	10 mm
H	1"	25 mm
I	19 1/2"	495 mm
J	25 1/2"	635 mm
K	19 1/2"	495 mm
L	17 3/4"	451 mm
M	17 3/4"	451 mm
N	1"	25 mm



Features

- Vacuum formed from an acrylic sheet and reinforced with fiberglass
- Scratch, stain and fade resistant high gloss finish
- A FD2 chrome drain is included on all models

Optional Accessories - RF

- Corner Shower Door CD38RF is designed to fit Sorrento One Piece Round Front Shower

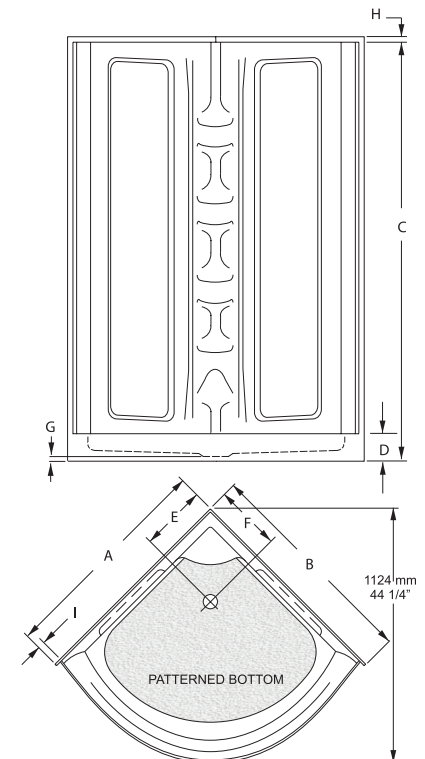
Meets or Exceeds the Following Specifications:

- CAN/CSA B45.0
- CAN/ULC-S102.2-M88 Flame Spread FRP laminate rating

General Specifications

Average weight	120 lbs	54 kg
Drain opening diameter	3 1/4"	83 mm
Drain to floor clearance	3/8"	9 mm

SC38RF		
A	38 1/4"	972 mm
B	38 1/4"	972 mm
C	76 1/4"	1937 mm
D	3 1/4"	82 mm
E	11 3/4"	298 mm
F	11 3/4"	298 mm
G	3/8"	10 mm
H	1"	25 mm
I	1"	25 mm



Mirolin Industries Corp

60 Shorncliffe Road, Toronto, ON M8Z 5K1
 mirolin.com support@mirolin.com
 T 416 231 5790 800 MIROLIN (647 6546)
 F 416 231 0929 800 463 2236

Important:

Dimensions of fixtures are nominal and may vary ± 6 mm (1/4"). These measurements are subject to change at Manufacturer's discretion.



© Copyright 2010 Mirolin Ind. The Copyright includes all content on the document.