



# Slate

66 3/4" x 31 1/2" x 24"

Acrylic Freestanding Bath

## Features

- Includes a chrome integral pop up drain and slotted overflow
- Includes a steel frame with leveling feet
- Centre drain

# Slate

CF 1016

## Acrylic Freestanding Bath

66 3/4" x 31 1/2" x 24"  
1695 mm x 800 mm x 610 mm

### Features

- Vacuum formed acrylic reinforced with fibreglass
- Scratch, stain and fade resistant high gloss finish
- Includes a steel frame with leveling feet
- Includes an integral slotted waste and overflow

### Colours



White

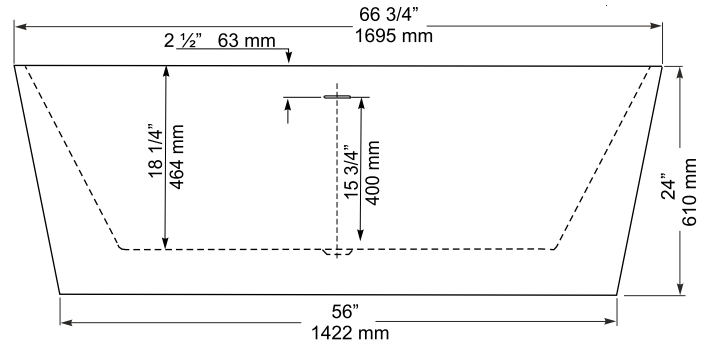
### General Specifications

Bathtub weight	93 lbs	42 kg
Bathing well dimensions at bottom	47 1/2" x 21"	1206 mm x 533 mm
Capacity to drain overflow	78 gallons	355 litres
Bathtub water depth from drain to overflow	15 3/4"	400 mm
Drain opening diameter	2"	51 mm
Overflow opening	3 1/8" x 3/8"	80 mm x 10 mm
Drain to floor clearance	4 3/4"	121 mm

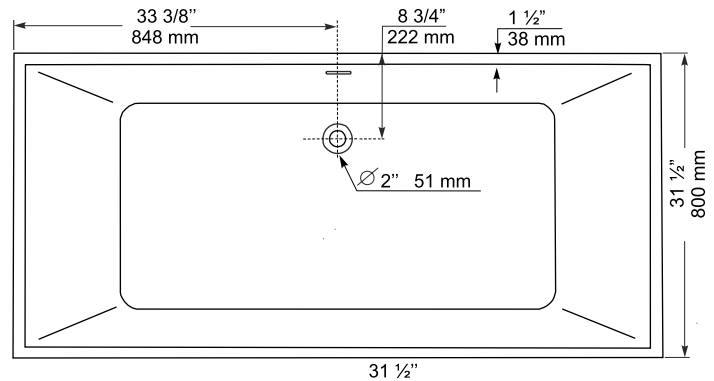
### Meets or Exceeds the Following Specifications:

- CAN/CSA B45.0

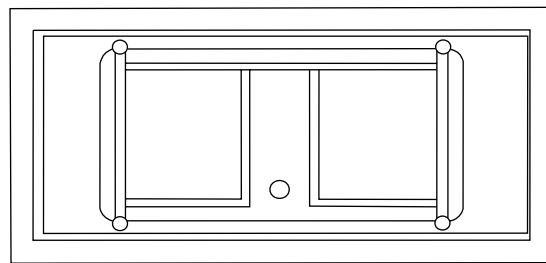
Front View



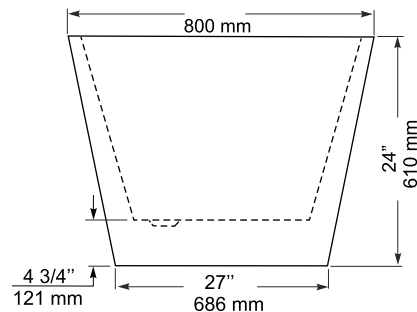
Top View



Bottom View



End View



### Mirolin Industries Corp

60 Shorncliffe Road, Toronto, ON M8Z 5K1  
mirolin.com support@mirolin.com  
T 416 231 5790 800 MIROLIN (647 6546)  
F 416 231 0929 800 463 2236

### Important:

Dimensions of fixtures are nominal and may vary  $\pm 6$  mm (1/4"). These measurements are subject to change at Manufacturer's discretion.



© Copyright 2010 Mirolin Ind. The Copyright includes all content on the document.