



Parker 20 60" x 32" x 89 ½"

Parker 20 Multi 60" x 33" x 85 ½"

Acrylic Tub Shower

Features

- Removable front access panel on hydrotherapy models
- Spacious bathing well
- Sloped lumbar support
- Includes an S shaped grab bar (not on Free Living Grand)
- Generous shelving
- Fits a standard 60" opening

Parker

60" Acrylic Tub Shower

Parker 20 • PT520L/R • 60" x 32" x 89 1/2" • 1524 mm x 813 mm x 2273 mm
 Parker 20 Multi • PT523L/R • 60" x 33" x 85 1/2" • 1524 mm x 838 mm x 2172 mm

Tub & Shower Features

- Vacuum formed acrylic reinforced with fiberglass
- Scratch, stain and fade resistant high gloss finish
- Faster assembly with the "Snap Fit" system
- 20 inches threshold height, 4 large shelves
- Stainless steel grab bar 1 1/4" diameter powder coated white or bone and factory installed with concealed mounting
- Sloped lumbar support

Whirlpool System

- 3/4 HP pre-wired pump and motor factory installed on a platform base
- 6 adjustable flow whirlpool jets, 2 foot jets
- Jets available in standard colors, polished chrome, and brushed nickel
- Deck-mounted air switch (A/S)
- Built-in access panel

Jet Air System

- 8.5 Amp variable speed blower on a platform base
- 14 air jets
- Jets available in standard colors, polished chrome, and brushed nickel
- Deck-mounted electronic touch control pad with on/off, speed, and oscillation control (E/C)
- Built-in access panel

Combination Whirlpool & Jet Air

- 12 air jets, 6 whirlpool and 2 foot jets
- Jets available in standard colors, polished chrome, and brushed nickel
- Built-in access panel

Optional Accessory

- A Dome Light is available for all models
- Factory installed whirlpool heater
- Shower Door BD 50 is designed for the Parker 20 Tub Shower

Meets or Exceeds the Following Specifications:

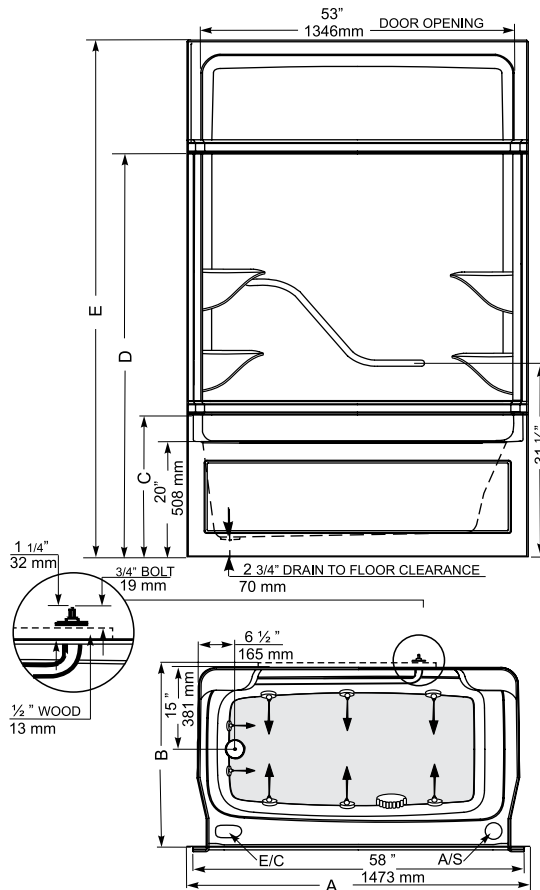
- CAN/CSA B45 Series
- CAN/ULC - S102.2 - M88 Flame Spread FRP laminate rating
- CAN/SCA - C22.2 No.218.2 - Hydromassage Standard

General Specifications

Average soaker weight	187 lbs	85 kg
Average whirlpool weight	222 lbs	101 kg
Average jet air weight	198 lbs	90 kg
Average combination weight	231 lbs	105 kg
Bathing well dimensions at bottom	23 1/2" x 44 1/2"	597 mm x 1130 mm
Capacity to drain overflow	49 gallons	223 litres
Minimum operating space	39 gallons	177 litres
Bathtub water depth from drain to overflow	13 1/2"	343 mm
Drain opening diameter	2"	51 mm
Overflow opening	2 1/2"	64 mm
Drain to floor clearance	2 3/4"	70 mm

Electrical Specifications

Whirlpool Pump/Motor	3/4 HP	7.5 AMP	120V
Jet Air Blower		8.5 AMP	120V



A	B	C	D	E
PT 520 L/R - 1PC				
60" 1524 mm	32" 813 mm	24 3/4" 629 mm	69" 1753 mm	89 1/2" 2273 mm
PT 523 L/R - 3PC				
60" 1524 mm	33" 838 mm	22 1/2" 571 mm	65" 1651 mm	85 1/2" 2172 mm

NOTES:

Tub and shower to be installed on the floor supported by the 2 feet and front edge if required to level the tub for adequate drainage. Whirlpool and blower motor protrude outside the confines of the bathtub periphery.

Mirolin Industries Corp

60 Shorncliffe Road, Toronto, ON M8Z 5K1
 mirolin.com support@mirolin.com
 T 416 231 5790 800 MIROLIN (647 6546)
 F 416 231 0929 800 463 2236

Important:

Dimensions of fixtures are nominal and may vary ± 6 mm (1/4"). These measurements are subject to change at Manufacturer's discretion.

