



**Bliss** 60" x 32" x 20"

**Marlowe** 60" x 36" x 20"

**Lux** 66" x 34" x 20"

**Kalm** 72" x 36" x 20"

Acrylic Drop In Bath

#### Features

- Available with 4", 2" and SlimLine™ profiles
- Allows for top, flush or under mount installation
- Accepts deck mounted faucet
- Sloped lumbar support
- Above floor rough-in

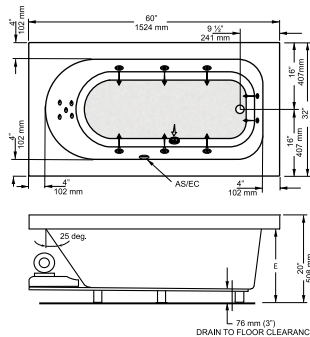
# Bliss / Marlowe / Lux / Kalm

## Acrylic Drop In Bath

Bliss • 60" x 32" x 20" • 1524 mm x 813 mm x 508 mm  
 Marlowe • 60" x 36" x 20" • 1524 mm x 914 mm x 508 mm  
 Lux • 66" x 34" x 20" • 1676 mm x 864 mm x 508 mm  
 Kalm • 72" x 36" x 20" • 1829 mm x 914 mm x 508 mm

### Bliss

FLANGE PROFILE	4"	2"	SlimLine
Bathtub	BO67	BO672	BO67S
Whirlpool	WO67	WO672	WO67S
W/P with Backjets	WB67	WB672	WB67S
Jet Air	AO67	AO672	AO67S
J/A with Backjets	AB67	AB672	AB67S
Ultimate Combo	UB67	UB672	UB67S

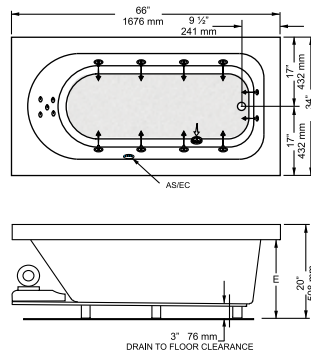


### General Specifications

Average bathtub weight	70 lbs	32 kg
Average whirlpool weight	114 lbs	52 kg
Average jet air weight	81 lbs	37 kg
Average combination weight	125 lbs	57 kg
Bathing well at bottom	43 1/2" x 21"	1105 mm x 533 mm
Capacity to drain overflow	41 gallons	185 litres
Minimum operating space	35 gallons	159 litres
Bathtub water depth from drain to overflow	12 1/2"	317 mm
Drain opening diameter	2"	51 mm
Overflow opening diameter	2 1/2"	64 mm
Drain to floor clearance	3"	76 mm

### Lux

FLANGE PROFILE	4"	2"	SlimLine
Bathtub	BO77	BO772	BO77S
Whirlpool	WO77	WO772	WO77S
W/P with Backjets	WB77	WB772	WB77S
Jet Air	AO77	AO772	AO77S
J/A with Backjets	AB77	AB772	AB77S
Ultimate Combo	UB77	UB772	UB77S



### General Specifications

Average bathtub weight	65 lbs	30 kg
Average whirlpool weight	109 lbs	50 kg
Average jet air weight	76 lbs	35 kg
Average combination weight	120 lbs	55 kg
Bathing well at bottom	50" x 22 1/2"	1270 mm x 571 mm
Capacity to drain overflow	53 gallons	245 litres
Minimum operating space	43 gallons	195 litres
Bathtub water depth from drain to overflow	12 1/2"	317 mm
Drain opening diameter	2"	51 mm
Overflow opening diameter	2 1/2"	64 mm
Drain to floor clearance	3"	76 mm

Flange Thickness	4"	2"	3/8"
E	16"	18"	19 5/8"

### Electrical Specifications

Whirlpool Pump/Motor	3/4 HP	7.5 AMP	120V
Jet Air Blower	8.5 AMP	120V	

### Mirolin Industries Corp

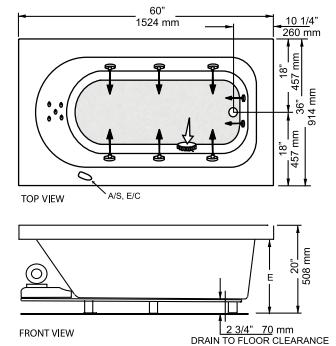
60 Shorncliffe Road, Toronto, ON M8Z 5K1  
 mirolin.com support@mirolin.com  
 T 416 231 5790 800 MIROLIN (647 6546)  
 F 416 231 0929 800 463 2236

### Important:

Dimensions of fixtures are nominal and may vary ± 6 mm (1/4"). These measurements are subject to change at Manufacturer's discretion.

### Marlowe

FLANGE PROFILE	4"	2"	SlimLine
Bathtub	BO61	BO612	BO61S
Whirlpool	WO61	WO612	WO61S
W/P with Backjets	WB61	WB612	WB61S
Jet Air	AO61	AO612	AO61S
J/A with Backjets	AB61	AB612	AB61S
Ultimate Combo	UB61	UB612	UB61S

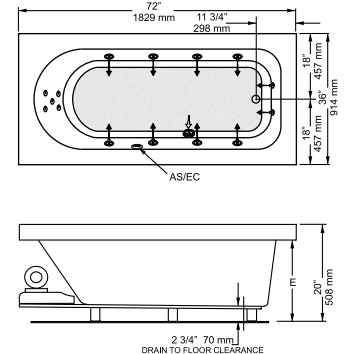


### General Specifications

Average bathtub weight	64 lbs	29 kg
Average whirlpool weight	106 lbs	48 kg
Average jet air weight	75 lbs	34 kg
Average combination weight	117 lbs	53 kg
Bathing well dimensions	22" x 43"	559 mm x 1092 mm
Capacity to drain overflow	52 gallons	236 litres
Minimum operating space	41 gallons	188 litres
Bathtub water depth from drain to overflow	13"	330 mm
Drain opening diameter	2"	51 mm
Overflow opening diameter	2 1/2"	64 mm
Drain to floor clearance	2 3/4"	70 mm

### Kalm

FLANGE PROFILE	4"	2"	SlimLine
Bathtub	BO94	BO942	BO94S
Whirlpool	WO94	WO942	WO94S
W/P with Backjets	WB94	WB942	WB94S
Jet Air	AO94	AO942	AO94S
J/A with Backjets	AB94	AB942	AB94S
Ultimate Combo	UB94	UB942	UB94S



### General Specifications

Average bathtub weight	75 lbs	34 kg
Average whirlpool weight	119 lbs	54 kg
Average jet air weight	86 lbs	39 kg
Average combination weight	130 lbs	59 kg
Bathing well at bottom	20" x 51"	508 mm x 1295 mm
Capacity to drain overflow	70 gallons	318 litres
Minimum operating space	55 gallons	250 litres
Bathtub water depth from drain to overflow	13"	330 mm
Drain opening diameter	2"	51 mm
Overflow opening diameter	2 1/2"	64 mm
Drain to floor clearance	2 3/4"	70 mm

### Meets or Exceeds the Following Specifications:

CAN/CSA - B45 Series  
 CAN/ULC - S102.2 - M88 Flame Spread FRP laminate rating  
 CAN/SCA - C22.2 No.218.2 - Hydromassage Standard



© Copyright 2010 Mirolin Ind. The Copyright includes all content on the document.