



Envy 60" x 30" x 22"

Acrylic Alcove Bath

Features

- Deckless profile
- Integral tile flange
- Ultra spacious bathing well
- Sloped lumbar support
- Sleek modern design
- Above floor rough-in
- Fits a standard 60" opening
- Available in both left and right end drain

Envy

60" Acrylic Alcove Bath

BO69S L/R

60" x 30" x 22"

1524 mm x 762 mm x 559 mm

Tub Features

- Vacuum formed acrylic reinforced with fiberglass
- Scratch, stain and fade resistant high gloss finish
- Spacious bathing well in a standard size bath

Colours



White

General Specifications

Average weight: Bathtub	64 lbs	29 kg
Bathing well at the top	56 1/4" x 26 3/4"	1429 mm x 679 mm
Bathing well at the bottom	46 1/2" x 22"	1181 mm x 559 mm
Capacity to drain overflow	63 gallons	286 litres
Bathtub water depth from drain to overflow	16 1/2"	419 mm
Drain opening diameter	2"	51 mm
Overflow opening diameter	2 1/2"	64 mm
Drain to floor clearance	2 3/4"	70 mm

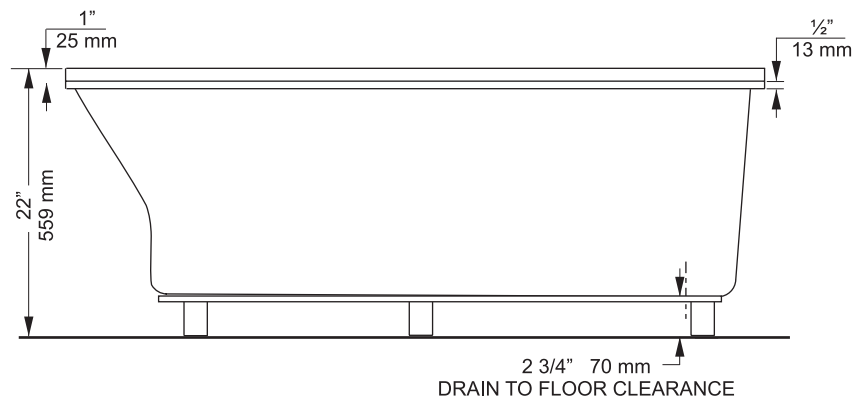
Electrical Specifications

Whirlpool Pump/Motor	3/4 HP	7.5 AMP	120V
Jet Air Blower		8.5 AMP	120V

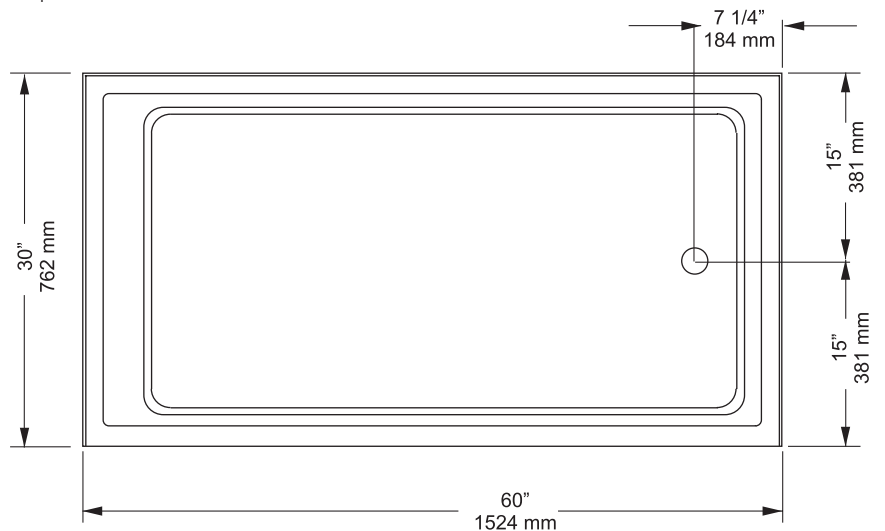
Meets or Exceeds the Following Specifications:

- CAN/CSA B45 Series
- CAN/ULC-S102.2-M88 Flame Spread FRP laminate rating

Front View



Top View



NOTES:

Bathtub to be installed on the floor supported by the 6 feet shim if required to level the bathtub for adequate drainage.

Mirolin Industries Corp

60 Shorncliffe Road, Toronto, ON M8Z 5K1

mirolin.com

support@mirolin.com

T 416 231 5790

800 MIROLIN (647 6546)

F 416 231 0929

800 463 2236

Important:

Dimensions of fixtures are nominal and may vary ± 6 mm ($1/4$ "). These measurements are subject to change at Manufacturer's discretion.



© Copyright 2010 Mirolin Ind. The Copyright includes all content on the document.