



Ellis 48 48" x 36" x 80"

Ellis 60 60" x 32" x 80"

Acrylic Shower Base and Walls

Features

- Low 4" threshold for easy entry and exit
- Generous shelving
- Available with or without seat option
- Also available as a base only

Ellis Series

Ellis 48 • 48" x 36" x 80" • 1 Piece Shower Base with 3 Piece Walls

Ellis 60 • 60" x 32" x 80" • 1 Piece Shower Base with 3 Piece Walls

Acrylic Shower Base and Walls

Product Features & Benefits

- Vacuum formed acrylic reinforced with fiberglass
- Scratch, stain and fade resistant high gloss finish
- FD 2 chrome drain is included on all models
- Wall option features an acrylic towel bar and 6 large shelves

Optional Accessories

- Acrylic wall option available
- Shower Door BD 48PS (Bypass Door), FD 47 (Fixed Panel Pivot Door) are designed for the EB 4836 & EB 48W
- Shower Door BDS 60PS (Bypass), FD 59 (Fixed Panel Pivot Door) are designed for the EB 6032 & EB 60W

Meets or Exceeds the Following Specifications:

- CAN/CSA B45 Series
- CAN/ULC-S102.2-M88 Flame Spread FRP laminate rating

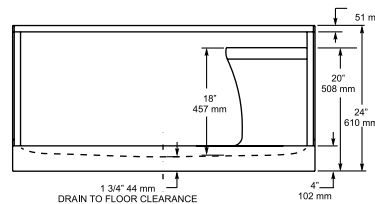
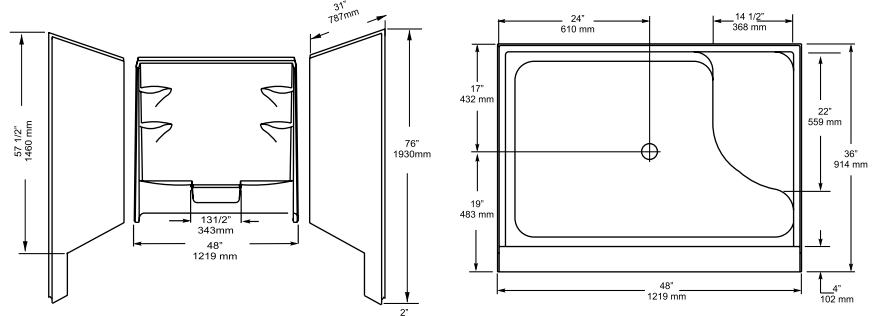
EB 4836 LS/RS • 1 Piece Shower Base with seat

EB 4836 L/R • 1 Piece Shower Base no seat

EB 48W • 3 Piece Shower Walls

48" x 36" x 24" • 1 Piece Shower Base

48" x 36" x 80" • 1 Piece Shower Base with 3 Piece Walls



General Specifications

Average shower base weight	72 lbs	33 kg
Average wall kit weight	84 lbs	38 kg
Drain opening diameter	3 1/4"	83 mm
Drain to floor clearance diameter	1 3/4"	44 mm

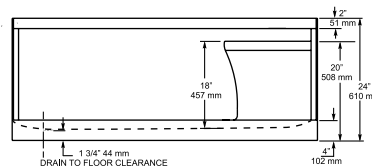
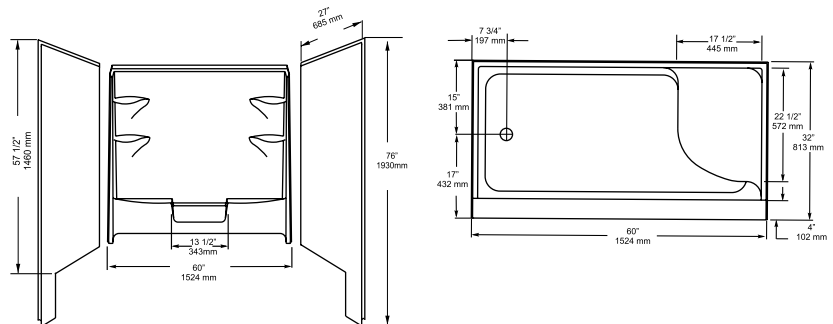
EB6032 LS/RS • 1 Piece Shower Base with seat

EB6032 L/R • 1 Piece Shower Base no seat

EB60W • 3 Piece Shower Walls

60" x 32" x 24" • 1 Piece Shower Base

60" x 32" x 80" • 1 Piece Shower Base with 3 Piece Walls



General Specifications

Average shower weight	76 lbs	35 kg
Average wall kit weight	82 lbs	37 kg
Drain opening diameter	3 1/4"	83 mm
Drain to floor clearance diameter	1 3/4"	44 mm

NOTES:

Shower to be installed on the floor supported by the 2 feet and front edge.
Shim if required to level the shower for adequate drainage.

Mirolin Industries Corp

60 Shorncliffe Road, Toronto, ON M8Z 5K1

mirolin.com

support@mirolin.com

T 416 231 5790

800 MIROLIN (647 6546)

F 416 231 0929

800 463 2236

Important:

Dimensions of fixtures are nominal and may vary ± 6 mm ($1/4$ "). These measurements are subject to change at Manufacturer's discretion.



© Copyright 2010 Mirolin Ind. The Copyright includes all content on the document.