

# Drop-In Acrylic Soaker

## INSTALLATION INSTRUCTIONS

**Read all instructions  
carefully  
before proceeding**

## OWNER' S MANUAL

**BO2001S - BEACON  
BO2002S - BROOKE  
BO2005S - CRUZ  
BO2006S - CARI  
BO2007S - DEMI  
BO2010S - INSPIRE**



For ALL Installation & Product Related Inquires  
Contact **Mirolin** Customer Care at 800. MIROLIN  
Please Do Not Contact Retailer

***Thank you and congratulations on the purchase of your Mirolin bath and/or shower product.***

Please read and follow the installation guide for detailed step by step instructions on how to install and care for your Mirolin product for years of continued performance and enjoyment. Should you require assistance with product assembly and/or installation, have any technical questions or concerns regarding your Mirolin product, please contact Mirolin Customer Care at 800.MIROLIN(647-6546) and speak to one of our highly trained, professional customer care representatives.

*Live Customer Care is available 8am to 6pm EST Monday to Friday*

*Call Mirolin Customer Care at 800.MIROLIN(647-6546)  
Email Mirolin Customer Care at [support@mirolin.com](mailto:support@mirolin.com)*

## **mirolin.com**

### **Your User-Friendly On-line Mirolin Resource Centre**

#### **Downloads**

Downloadable product specifications and installation instructions for all products

#### **Maintenance & Warranty**

Detailed product maintenance and warranty information at your fingertips

#### **Product Information**

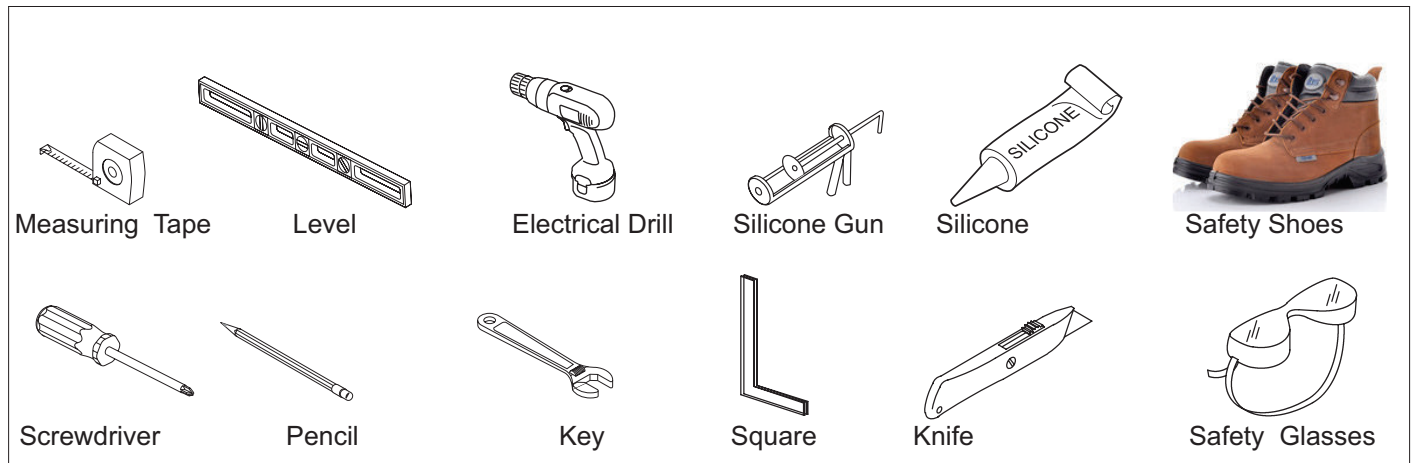
Detailed product information including product features, options information, list pricing and lifestyle imagery

## **IMPORTANT**

*Please Read Complete Instructions Carefully Before Proceeding with Installation*

For ALL Installation and Product Related Inquires  
Contact **Mirolin** Customer Care at 800.MIROLIN  
Please Do Not Contact Retailer

## TOOLS REQUIRED

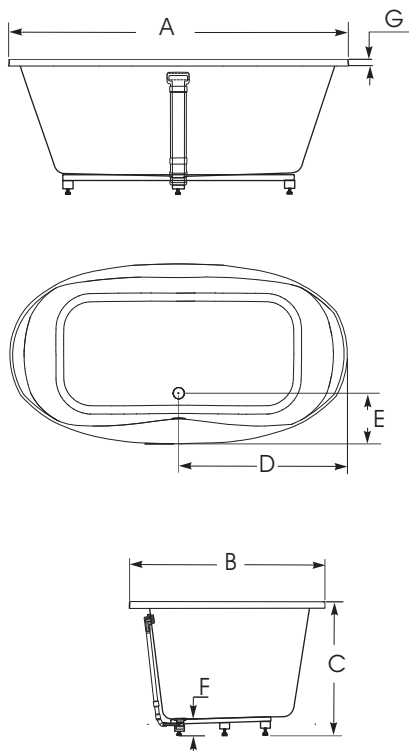


## INSTALLATION NOTES

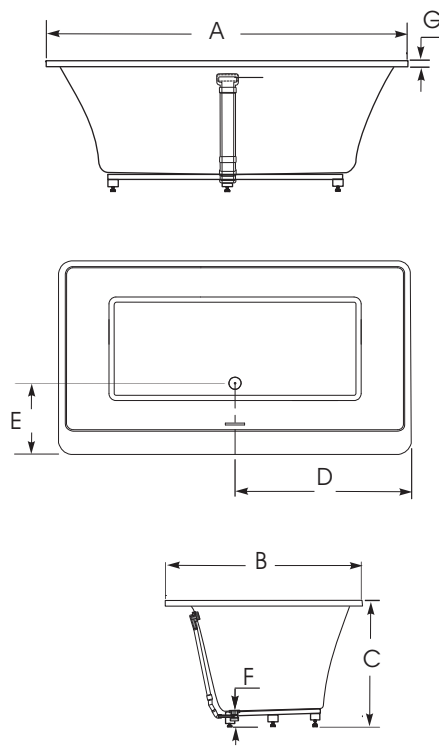
- Follow local plumbing codes
- We strongly recommend to have professional plumber to do the plumbing installation
- Structural support: The floor under the bath must be capable of supporting at least 50 lb./ft.<sup>2</sup> (240 kg/m<sup>2</sup>) with the weight concentrated at the 5 legs of the tub.
- The rim of the bath is not designed to carry weight. Ensure a 1/16" (2 mm) gap exists between the framing and the underside of the rim
- Construct the framing according to the rough-in information section of this publication
- To ensure successful installation, it is critical that bath be installed on a level floor
- The bath must be level along the top edges in both directions to ensure proper drainage.
- Use a high-speed drill or a hole saw for drilling the top surface of the bath for the deck mounted faucet and fill spout. Mask the surrounding surface to prevent scratches and other damage during drilling.

## ROUGH-IN INFORMATION

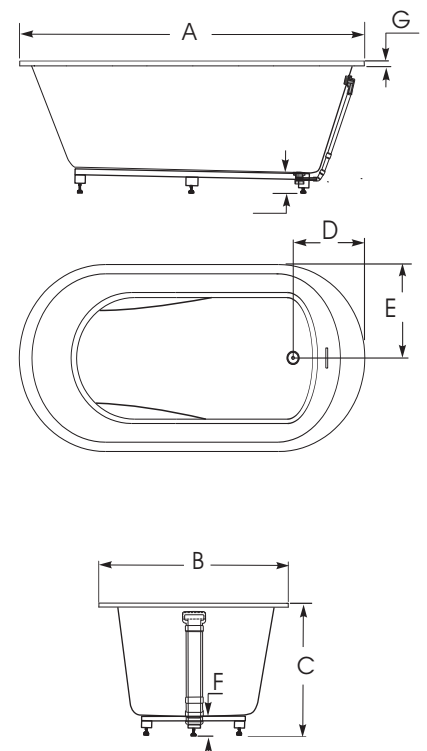
### TYPE - A



### TYPE - B



### TYPE - C



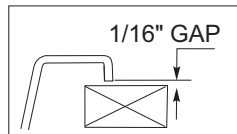
MODEL	A	B	C	D	E	G	F	BOX HEIGHT
<b>TYPE - A</b>								
BO2002S - BROOKE	68"	36"	23"	34"	9 1/2"	3/8"	3 1/4"	22 1/2"
BO2006S - CARI	60"	32"	22"	30"	9 3/4"	3/8"	3 1/4"	21 1/2"
<b>TYPE - B</b>								
BO2001S - BEACON	67"	36"	23"	33 1/2"	13"	3/8"	3 1/4"	22 1/2"
BO2005S - CRUZ	60"	32"	22"	30"	11"	3/8"	3 1/4"	21 1/2"
<b>TYPE - C</b>								
BO2007S - DEMI	60"	30"	22"	13"	16"	3/8"	3 1/4"	21 1/2"
BO2010S - INSPIRE	60"	32"	22"	13"	16"	3/8"	3 1/4"	21 1/2"

### SUNKEN INSTALLATION - OVAL & RECTANGULAR

The suggested stud construction is illustrated. Refer to the rough-in dimensions of corresponding model in the table above. Ensure there is 1/16" gap between the bath rim and framing provided.

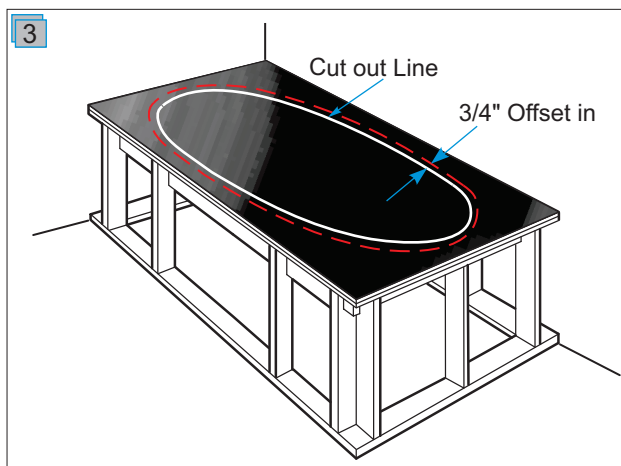
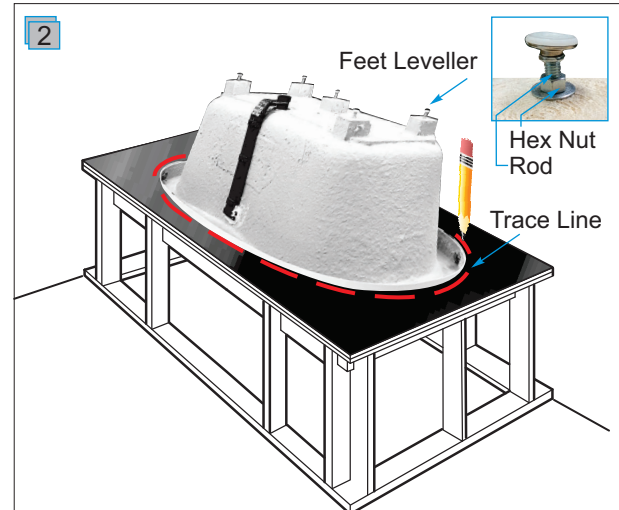
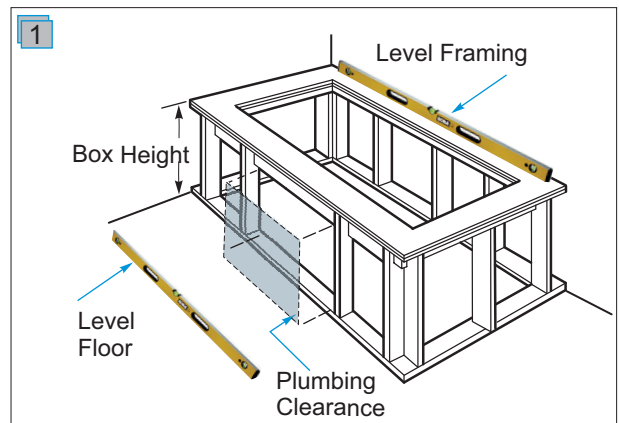
**Do not hang the bath by rim.**

Check the flooring under the bath, make repairs as needed. Make sure the floor is level

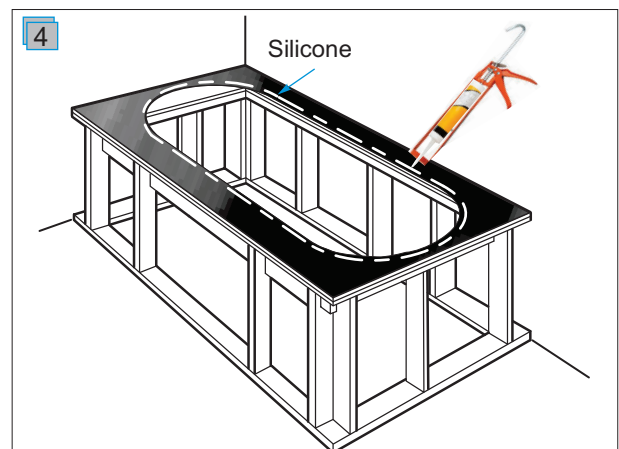


Depending on the model type, provide clearance for the plumbing connection.

Carefully position the soaker face down in the desired installation location. Draw a line around the entire edge. Measure in from the line 3/4", and draw a second line. This solid line is the cut out line.



Apply a generous bead of waterproof sealant on the outer edge of traced line.



Secure soaker into place. Ensure the presence of 1/16" gap between the deck and rim. Make necessary adjustment with feet levellers if necessary.

## TESTING

Test the installation after completing the plumbing, but before finishing the surroundings.

Fill the bath with water and leave it for one hour to ensure that the all plumbing connections are correct, and there are no leaks.

Apply additional sealant along the tub deck interface to ensure a watertight seal.

Clean off excess silicone on the surface of the soaker immediately with a cloth and warm water.

## METHOD OF SUPPORTING RIM OF SUNKEN / ISLAND BATH INSTALLATION

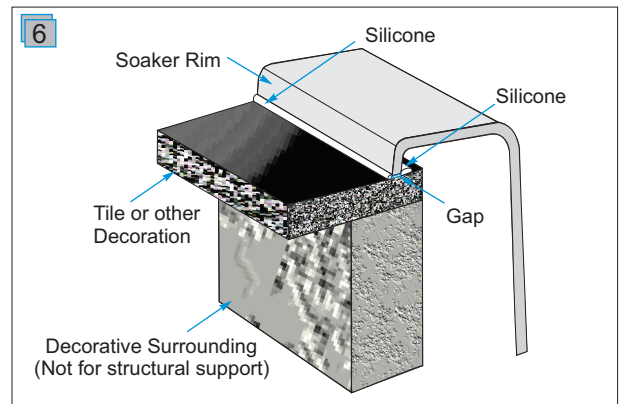
The weight of tub should rest entirely on the support legs.

Mirolin Industries Corp. is not responsible for any damages incurred as a result of poor installation of the product.

## MAINTENANCE

The acrylic sheet, which forms the surface of your bathtub, provides one of the most durable surfaces found in modern bathrooms. Keep it bright and smooth with mild liquid household detergent, soap and water, or foaming cleansers. NEVER USE aromatic solvents, abrasive cleaners, scouring compounds or pads, strong liquid cleansers, or other material that could damage or dull the surface of the bath.

DO NOT USE products such as acetone (nail polish remover), dry cleaning solution, lacquer thinners, gasoline, pine oil, etc.



**Restoring Surface Gloss.-** Restore surface gloss by applying a very fine rubbing compound and polishing the surface by hand or with a power buffer. Finish with an application of a good quality automotive wax.

**Minor Repairs to Surface.-** Remove minor scratches and scuffs as follows. First, wet sand the area with 600 grit wet sandpaper until the surface is smooth. Then, restore the gloss as described under **RESTORING SURFACE GLOSS.**

We want you to be completely satisfied with our products and service. If you have any comments or suggestions, please call **1-800-MIROLIN** toll free.

The company reserves the right to change models and specifications without notice.



60 Shorncliffe Rd., Toronto, Ontario M8Z 5K1  
Telephone: (416) 231-9030 - Fax: (416) 231-0929  
www.mirolin.com

**Customer Service:** (416) 231-5790  
Canada, U.S.A.: 1-800 - **MIROLIN** (647-6546)  
Fax, Canada: 1- 800 - 463 - 2236

