



Brooke 68" x 36" x 23 1/2"

Two Piece Acrylic Freestanding Bath

Features

- Installation friendly two piece design
- Accepts deck mounted faucet
- Includes a chrome integral pop up drain and slotted overflow
- Centre drain
- Includes steel frame with self leveling feet

Brooke

CF 2002

Two Piece Acrylic Freestanding Bath

68" x 36" x 23 1/2"
1727 mm x 914 mm x 597 mm

Features

- Vacuum formed acrylic reinforced with fiberglass
- Scratch, stain and fade resistant high gloss finish
- Accepts deck mounted faucet
- Includes an integral slotted waste and overflow
- Installation friendly two piece design
- Includes a steel frame with self leveling feet

Colours



White

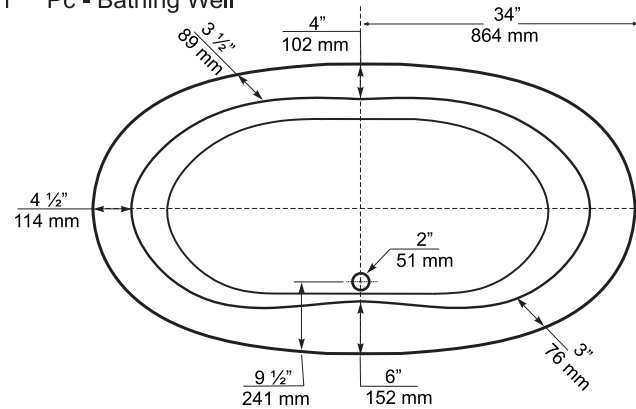
General Specifications

Bathtub weight average	120 lbs	55 kg
Bathing well dimensions at bottom	47" x 20 1/2"	1194 mm x 521 mm
Capacity to drain overflow	55 gallons	250 litres
Bathtub water depth from	16 3/4"	425 mm
Drain to overflow drain opening diameter	2"	51 mm
Overflow opening	3 1/4" x 3/4"	83 mm x 19 mm
Drain to floor clearance	3 7/8"	98 mm

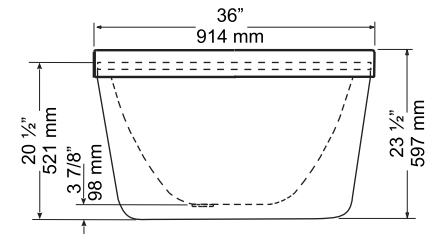
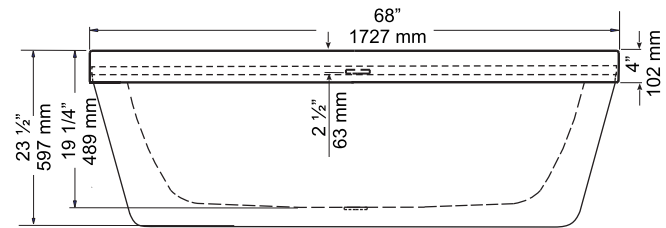
Meets or Exceeds the Following Specifications:

- Meets CAN/CSA - B 45.5 & B 45.0

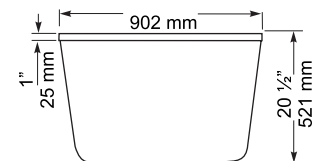
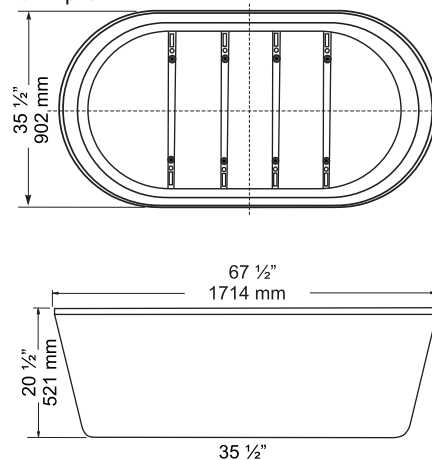
1^{st.} Pc - Bathing Well



2 Pc - Assembly



2^{nd.} Pc - Apron



Mirolin Industries Corp

60 Shorncliffe Road, Toronto, ON M8Z 5K1
mirolin.com support@mirolin.com
T 416 231 5790 800 MIROLIN (647 6546)
F 416 231 0929 800 463 2236

Important:

Dimensions of fixtures are nominal and may vary ± 6 mm (1/4"). These measurements are subject to change at Manufacturer's discretion.



© Copyright 2010 Mirolin Ind. The Copyright includes all content on the document.